

ASSEMBLY INSTRUCTION

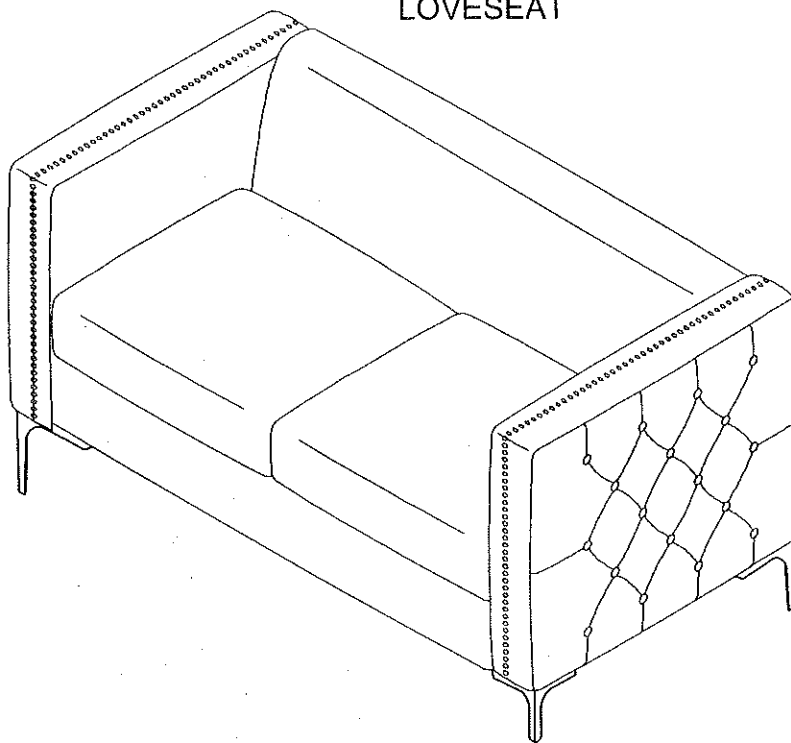
IMPORTANT NOTE:

** PLACE ALL PARTS ON A CLEAN AND SMOOTH SURFACE SUCH AS A RUG OR CARPET TO AVOID THE PARTS FROM BEING SCRATCHED.

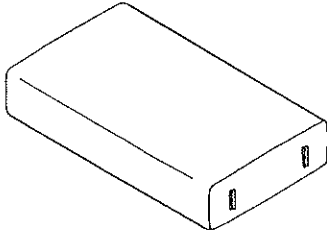
** BEFORE YOU BEGIN , KINDLY FOLLOW THE ASSEMBLY INSTRUCTIONS STEP BY STEP.

** DO NOT TIGHTEN ALL SCREWS UNTIL THE SOFA IS FULLY SET-UP.

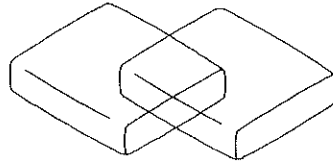
LOVESEAT



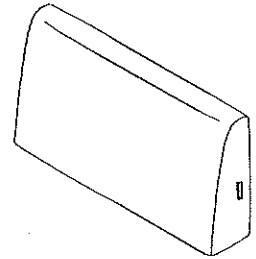
PARTS AND HARDWARE



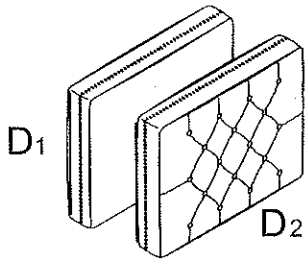
A : SEAT FRAME 1 PC



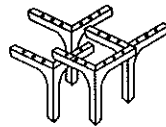
B : SOFA CUSHION 1 PC



C : BACKREST 1 PC



D : ARMREST 2 PCS



E : LEG 4 PCS



F : Bolt Φ 5/16*1" 4 PCS



G : Screw Φ 5/16*1" 16PCS



K : Flat Washer 5/16 *19mm 4 PCS

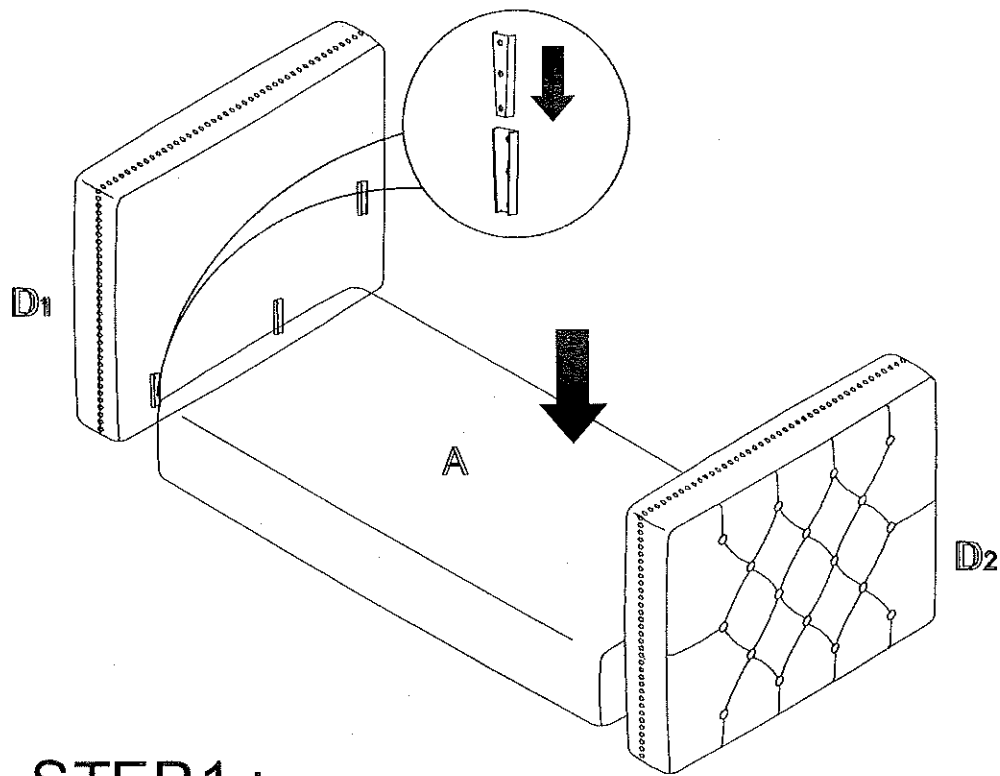


H : Lock Washer 5/16 4 PCS



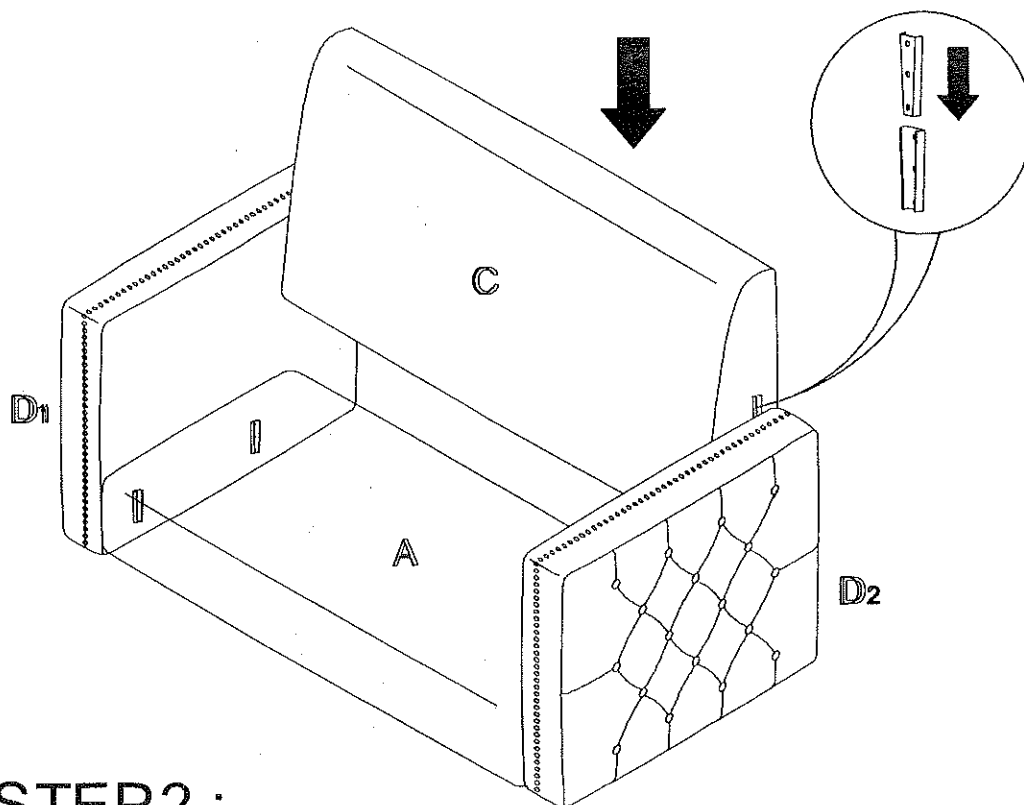
L : Allen Wrench 1 PC

ASSEMBLY INSTRUCTIONS



STEP 1 :

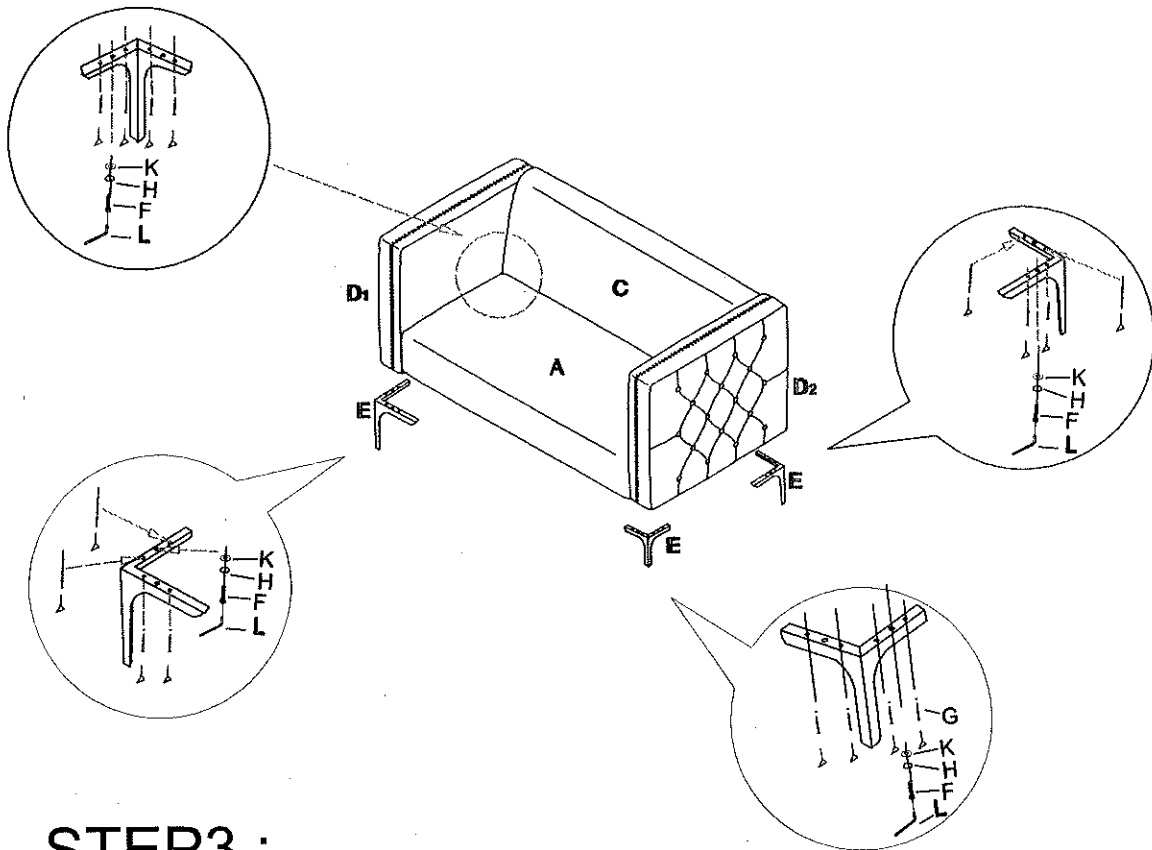
ATTACH THE ARMREST (D) TO THE SEAT FRAME (A)



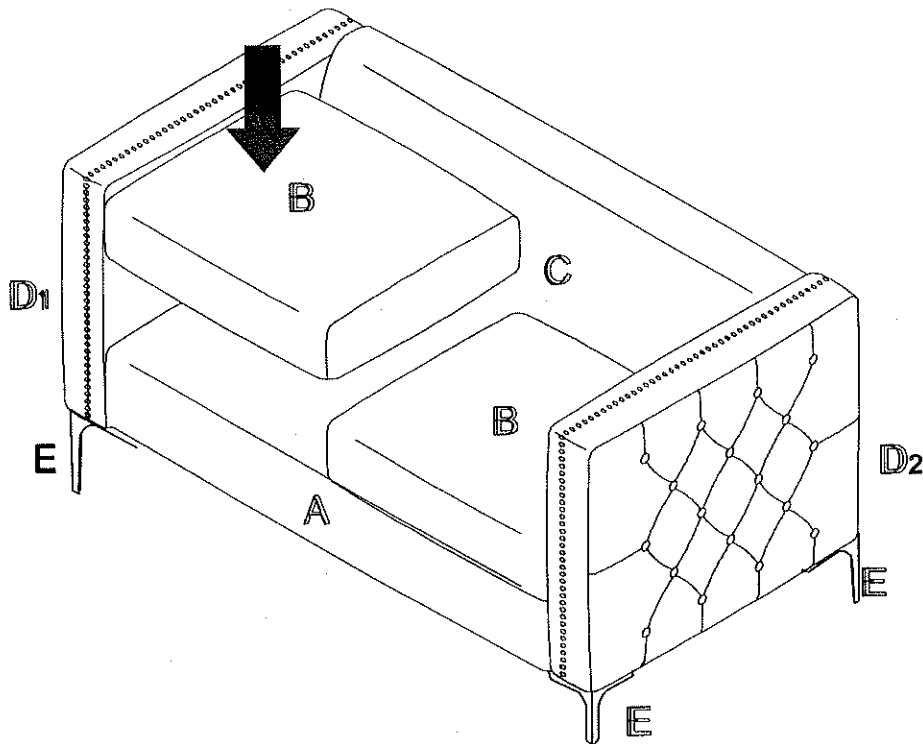
STEP 2 :

ATTACH THE ARMREST (C) TO THE SEAT FRAME (A)

ASSEMBLY INSTRUCTIONS



STEP 3 :
ATTACH THE LEG (E) TO THE ARMREST (D)



STEP 4 :
PUT THE SEAT CUSHION (B) TO THE SEAT FRAME (A)