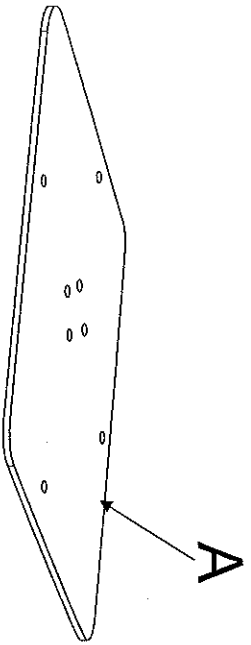
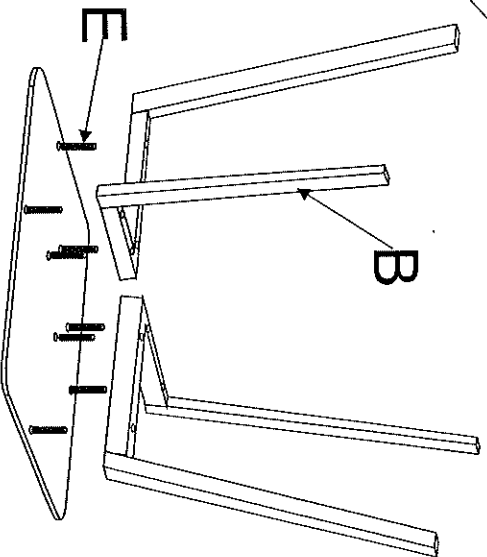


P804# Installation Figure

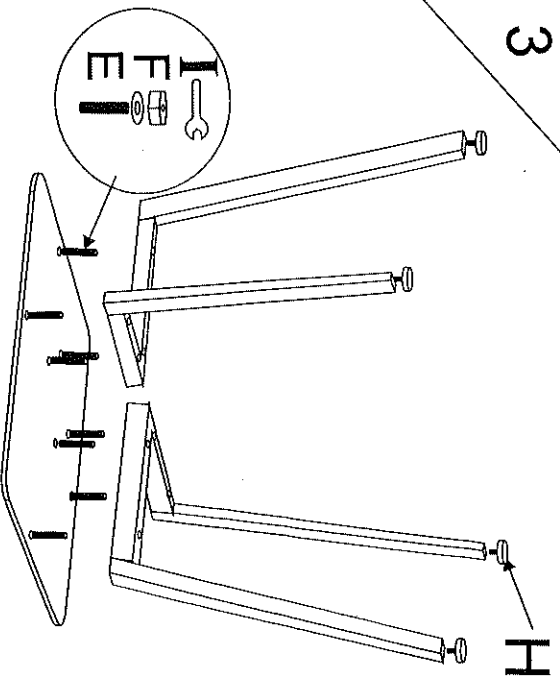
1



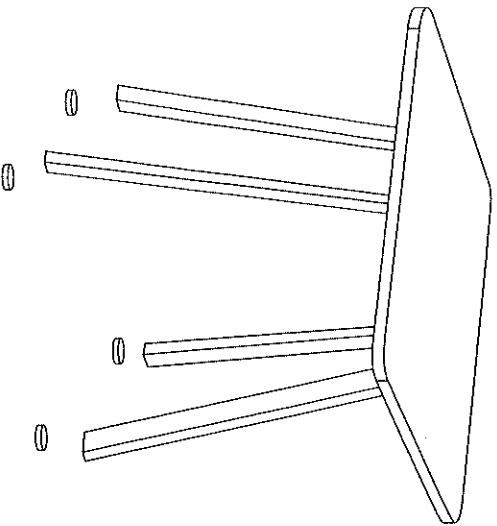
2



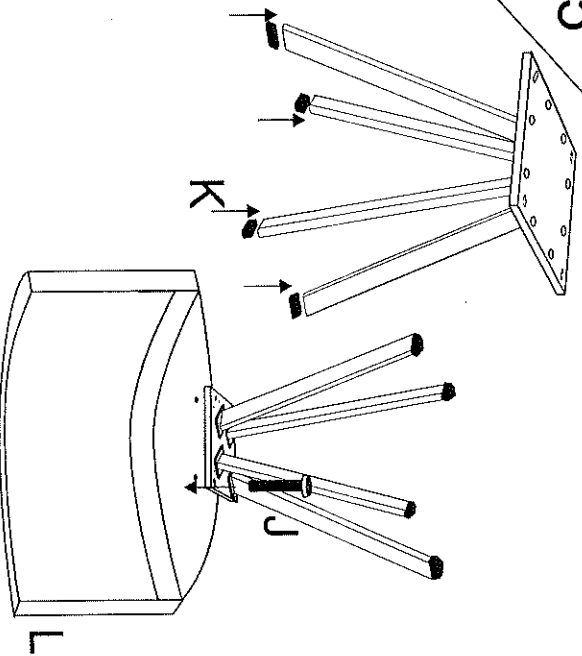
3



4



5



	A	(X1)		B	(X2)
	E	(X8)		F	(X8)
	I	(X1)		H	(X4)
	I	(X4)		K	(X16)
	J	(X16)		L	(X4)